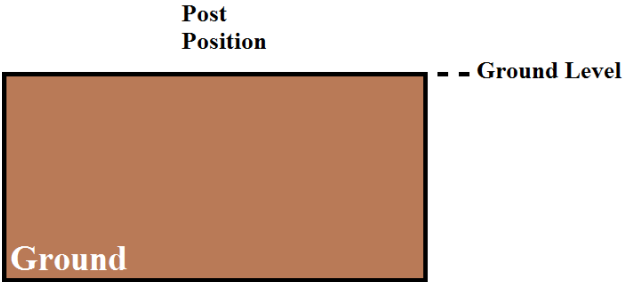
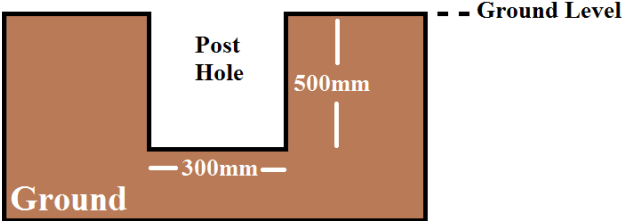


LuMac Canopies Leg fitting explained

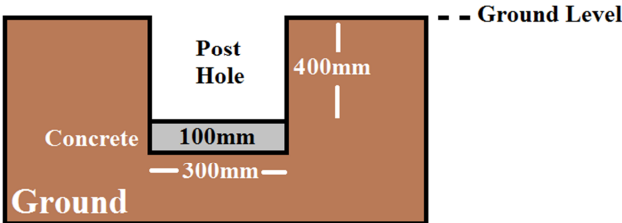
- 1. Mark Hole positions, positions are given in the LuMac Fitting Guide.



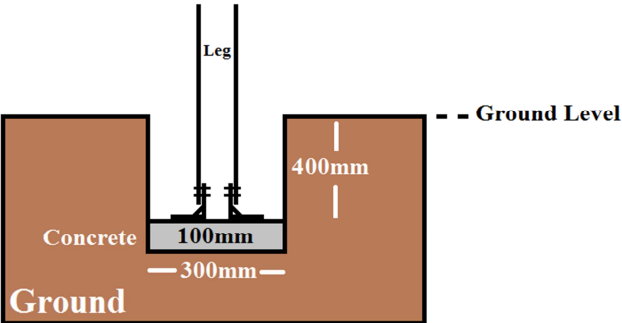
- 2. Dig Post holes 300 x 300 x 500mm



- 3. Back-fill the holes with 100mm on concrete.

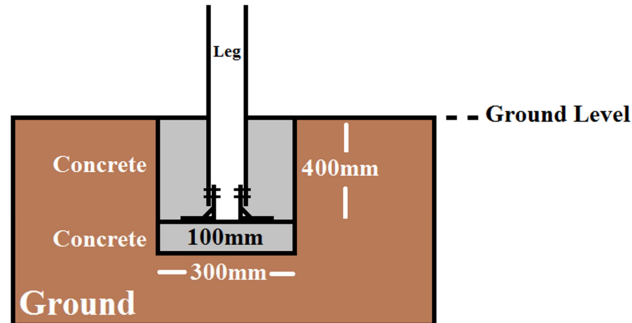


- 4. Once the feet have been fitted to the leg, stand the foot on the 100mm, hard foundation.



LuMac Canopies Leg fitting explained

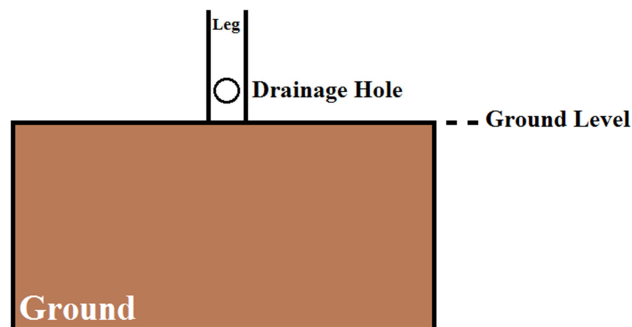
5. Once the canopy erecting has been completed, check the legs are level and back-fill the remainder of the hole.



6. Once the ground has been made good you cut a hole in the leg to allow drainage above ground level.

You may also:

- a. Connect to a water butt
- b. Connect under ground to a nearby house gutter (before concreting of course!)
- c. Link to a nearby soak-away



If you have further questions please feel free to contact us on:

info@lumaccanopies.co.uk

01462 888073

www.lumaccanopies.co.uk